

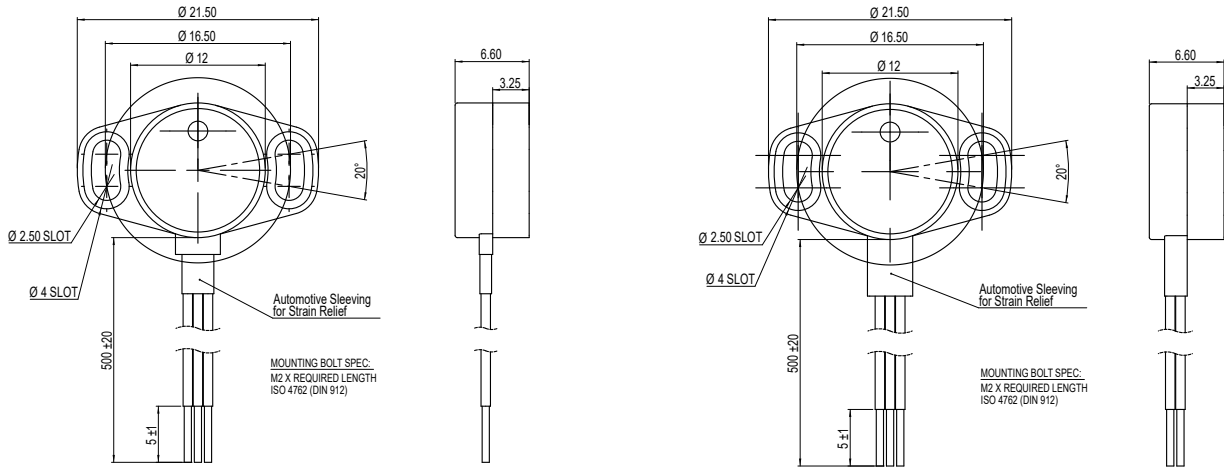


Based on the Euro-XPk the Euro-CMRK angle sensor is specifically aimed applications where miniaturisation is a key factor. The main sensor housing is manufactured from high grade aluminium alloy with an anodised finish and may be customised to exactly suit the application. The Euro-CMRK series' housing and magnet accessory dimensions are fully customisable dependant on customers' requirements. With redundant output this compact and fully non-contacting Hall Effect sensor features IP68 sealing and will suit arduous high-duty cycle position feedback applications.

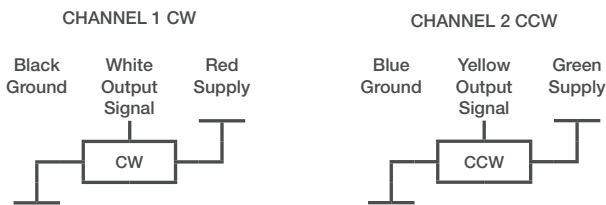
Specifications	
Mechanical	
Typical Life Cycle	In excess of 100 million cycles
Measuring range	360° redundant, signal 1 cw, signal 2 ccw
Housing	High grade anodised aluminium
Recom. Mounting Bolt Torque	0.5- 0.63 Nm (may differ dependant on application)
Environmental	
Operating temperature	-40°C to +125°C (Short term 150°C)
Vibration	20...2000 Hz; Amax = 0.75 mm; amax = 31.4 g to IEC 60068-2-6
IP rating	IP68
Electrical	
Supply Voltage	5V +/- 0.5V
Output signal	Ratiometric 5%...95% of supply (+/-25mv of specified electrical output range for both start & end voltage) PWM frequency 100Hz... 1000Hz, 1000Hz default, duty cycle between 5%-95%
Independant linearity	+/- 0.5% of each signal range
Sampe Rate (Fast Mode)	5 kHz
System Propagation Dela (Fast Mode)	600 µs
Isolation resistance	200 MΩ (500 VDC, 1 bar, 2s)
Electrical connection	See ordering code/wiring daigram
Cable type	Raychem Spec 55, 24 AWG



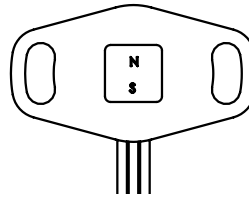
Dimensions



Wiring and orientation

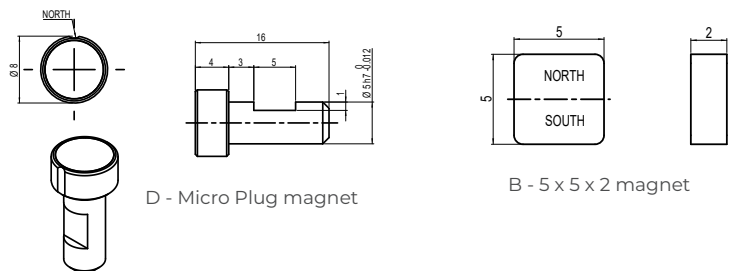


ORIENTATION - midpoint of electrical travel shown



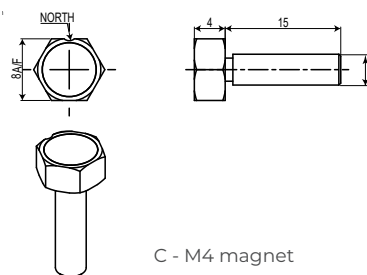
Magnet options - dimensions in mm

Magnet Code	Magnet Type	Distance from CMRK face
A	No magnet	
B	5x5x2 magnet	0.5 - 3 mm
C	M4 magnet	0 - 2 mm
D	Micro plug magnet	0 - 2 mm
E	M2 Female magnet	0 - 2,5 mm
X	Custom - on request	-

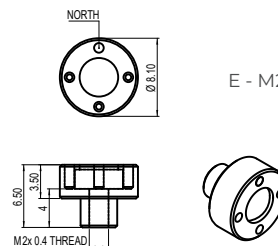


D - Micro Plug magnet

B - 5 x 5 x 2 magnet



C - M4 magnet



E - M2 Female magnet

Note for magnets: Maximum permitted radial offset = +/- 0.75 mm

EURO-CMRK PROGRAMMABLE SENSOR CUSTOM MICRO ROTARY PUCK



Ordering information

(Please use the characters in the chart below to construct your product code)

Sample Code	Euro-CMRK	-	X	-	1	1	1	-	1216	-	360	-	11	78	-	50
Series	(Euro- Custom Micro Rotary Puck)															
Accompanying magnet																
A	No magnet															
B	5x5x2 magnet															
C	M4 magnet															
D	Micro Plug magnet															
E	M2 female magnet															
X	Custom - on request															
Input type	1...5 V supply															
Output type																
1	Analog ratiometric															
2	PWM															
Number of channels																
1	Single channel															
2	Dual channel															
Mounting flange PCD																
16	16.5 mm PCD															
XX	Custom on request															
Electrical angle																
360	Standard Electrical Angle 360°															
Optional Angle from 30° to 360° in 1° steps (e.g. 181=181°)																
Output signal																
1	5% to 95% of Input Voltage															
2	10% to 90% of Input Voltage															
3	Custom on request e.g. 11 = 5 to 95% both channels															
Channel direction																
7	Clockwise															
8	Counter clockwise															
e.g. 77 = Clockwise both channels																
Cable length																
50	Standard cable length 500 mm															
XX	Custom on request <1 metre															
XXX	Custom on request >1 metre															

(Standard cable Raychem Spec 55, 24 AWG;
Others available on request)

EURO-CMRK PROGRAMMABLE SENSOR CUSTOM MICRO ROTARY PUCK



The following sensor models are typically available from stock:

95287 Euro-CMRK-A-112-1216-360-1178-50

95288 Euro-CMRK-A-112-1216-060-1178-50

95289 Euro-CMRK-A-112-1216-120-1178-50

The following magnets are typically available from stock:

17962 B-5x5x2 Magnet

94385 C-M4 Magnet

94386 D-Mikro Plug Magnet

94387 E - M2 Female Magnet