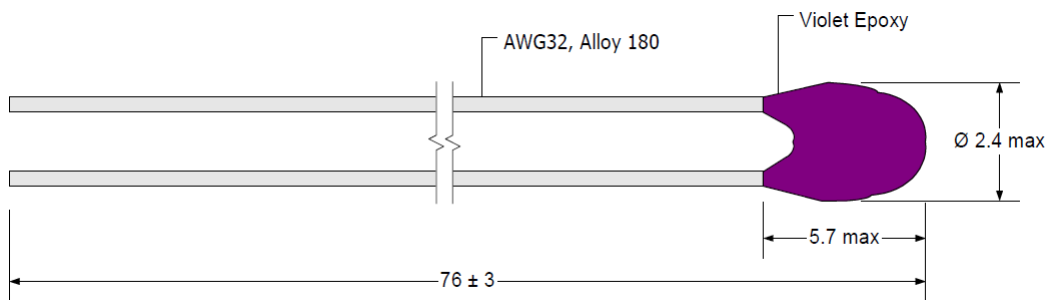


The ENTC-EB-100k4262-02 is specifically designed for sensing small changes in temperature for mid-range temperature applications.

Due to its high sensitivity and high resistance (100kOhm @25°C) it is ideal for tight tolerance instrumentation in non-condensing moisture environments.

| Specifications | |
|---------------------------------------|--|
| Element: | NTC Thermistor |
| Wire material | 76 mm bare leads, 32 AWG solid Alloy 180 |
| Resistance at +25°C | 100000 Ω |
| Resistance Tolerance from 0°C to 70°C | ± 0.2°C |
| Beta Value 25/85 constant | 4262K ± 0.5% |
| Dissipation factor (in air) | ~ 2 mW/°C |
| Thermal time constant (in air) | ~15 sec |
| Operating temperature range | -40° C to + 150° C |

Dimensions in mm





Resistance vs. temperature table for 100k4262-02

R(25) = 100000 Ohms B(25/85) = 4262K ± 0,5%

| TEMP (°C) | RESIS (KΩ) |
|-----------|------------|
| -30 | 2067.000 |
| -29 | 1937.463 |
| -28 | 1816.833 |
| -27 | 1704.446 |
| -26 | 1599.689 |
| -25 | 1502.000 |
| -24 | 1410.917 |
| -23 | 1325.898 |
| -22 | 1246.503 |
| -21 | 1172.328 |
| -20 | 1103.000 |
| -19 | 1038.089 |
| -18 | 977.377 |
| -17 | 920.568 |
| -16 | 867.391 |
| -15 | 817.400 |
| -14 | 770.690 |
| -13 | 726.919 |
| -12 | 685.886 |
| -11 | 647.404 |
| -10 | 611.300 |
| -9 | 577.375 |
| -8 | 545.527 |
| -7 | 515.617 |
| -6 | 487.515 |
| -5 | 461.100 |
| -4 | 436.246 |
| -3 | 412.872 |
| -2 | 390.881 |
| -1 | 370.184 |
| 0 | 350.700 |
| 1 | 332.346 |
| 2 | 315.054 |
| 3 | 298.756 |
| 4 | 283.391 |
| 5 | 268.900 |
| 6 | 255.205 |
| 7 | 242.284 |
| 8 | 230.088 |
| 9 | 218.574 |

| TEMP (°C) | RESIS (KΩ) |
|-----------|------------|
| 10 | 207.700 |
| 11 | 197.445 |
| 12 | 187.750 |
| 13 | 178.582 |
| 14 | 169.908 |
| 15 | 161.700 |
| 16 | 153.909 |
| 17 | 146.537 |
| 18 | 139.560 |
| 19 | 132.955 |
| 20 | 126.700 |
| 21 | 120.779 |
| 22 | 115.165 |
| 23 | 109.841 |
| 24 | 104.792 |
| 25 | 100.000 |
| 26 | 95.452 |
| 27 | 91.133 |
| 28 | 87.031 |
| 29 | 83.134 |
| 30 | 79.430 |
| 31 | 75.913 |
| 32 | 72.569 |
| 33 | 69.390 |
| 34 | 66.366 |
| 35 | 63.490 |
| 36 | 60.763 |
| 37 | 58.150 |
| 38 | 55.677 |
| 39 | 53.303 |
| 40 | 51.060 |
| 41 | 48.917 |
| 42 | 46.874 |
| 43 | 44.927 |
| 44 | 43.071 |
| 45 | 41.300 |
| 46 | 39.611 |
| 47 | 37.999 |
| 48 | 36.461 |
| 49 | 34.992 |

| TEMP (°C) | RESIS (KΩ) |
|-----------|------------|
| 50 | 33.590 |
| 51 | 32.252 |
| 52 | 30.974 |
| 53 | 29.753 |
| 54 | 28.586 |
| 55 | 27.470 |
| 56 | 26.405 |
| 57 | 25.387 |
| 58 | 24.413 |
| 59 | 23.482 |
| 60 | 22.590 |
| 61 | 21.734 |
| 62 | 20.915 |
| 63 | 20.131 |
| 64 | 19.380 |
| 65 | 18.660 |
| 66 | 2011 |
| 67 | 1942 |
| 68 | 1876 |
| 69 | 1813 |
| 70 | 1752 |
| 71 | 1693 |
| 72 | 1637 |
| 73 | 1582 |
| 74 | 1530 |
| 75 | 1480 |
| 76 | 1432 |
| 77 | 1385 |
| 78 | 1341 |
| 79 | 1298 |
| 80 | 10.830 |
| 81 | 10.459 |
| 82 | 10.103 |
| 83 | 9.761 |
| 84 | 9.432 |
| 85 | 9.115 |
| 86 | 8.811 |
| 87 | 8.518 |
| 88 | 8.236 |
| 89 | 7.965 |

NTC THERMISTOR - ENTC-EB-100K4262-02



| TEMP (°C) | RESIS (KΩ) |
|-----------|------------|
| 90 | 7.704 |
| 91 | 7.453 |
| 92 | 7.211 |
| 93 | 6.978 |
| 94 | 6.754 |
| 95 | 6.538 |
| 96 | 6.330 |
| 97 | 6.129 |
| 98 | 5.936 |
| 99 | 5.750 |
| 100 | 5.570 |
| 101 | 5.397 |
| 102 | 5.230 |
| 103 | 5.069 |
| 104 | 4.914 |
| 105 | 4.764 |
| 106 | 4.619 |
| 107 | 4.480 |
| 108 | 4.345 |
| 109 | 4.215 |
| 110 | 4.089 |
| 111 | 3.968 |
| 112 | 3.850 |
| 113 | 3.737 |
| 114 | 3.628 |
| 115 | 3.522 |
| 116 | 3.420 |
| 117 | 3.322 |
| 118 | 3.226 |
| 119 | 3.134 |
| 120 | 3.045 |

| TEMP (°C) | RESIS (KΩ) |
|-----------|------------|
| 121 | 2.959 |
| 122 | 2.875 |
| 123 | 2.795 |
| 124 | 2.717 |
| 125 | 2.641 |
| 126 | 2.568 |
| 127 | 2.497 |
| 128 | 2.429 |
| 129 | 2.362 |
| 130 | 2.298 |
| 131 | 2.236 |
| 132 | 2.176 |
| 133 | 2.117 |
| 134 | 2.061 |
| 135 | 2.006 |
| 136 | 1.953 |
| 137 | 1.901 |
| 138 | 1.851 |
| 139 | 1.803 |
| 140 | 1.756 |
| 141 | 1.711 |
| 142 | 1.667 |
| 143 | 1.624 |
| 144 | 1.582 |
| 145 | 1.542 |
| 146 | 1.503 |
| 147 | 1.465 |
| 148 | 1.428 |
| 149 | 1.393 |
| 150 | 1.358 |

Ordering information

Order code: ENTC-EB-100k4262-02